



VIBRO-LASER



 **Bluetooth**[®]



Horizontal
Shaft Alignment



Vertical
Shaft alignment



Units data



Softcheck



Memory
Manager



Data transfer
to PC

We are pleased to present the new portable laser shaft alignment system **VIBRO-LASER®**.

VIBRO-LASER® offers functionality and its high technical characteristics, making alignment process of your equipment (pump, electric motor, compression etc.) quick and exact, thus reducing its energy consumption and increasing service life.

Laser shaft alignment system **VIBRO-LASER®** advantages:

- Reducing energy consumption by 15% or more
- Reducing mechanic deterioration
- Reducing equipment vibration
- Increasing productivity
- Increasing overhaul interval
- Increasing equipment reliability



IP67
5MP camera
Bluetooth

DISPLAY UNIT

VIBRO-LASER® has an ergonomic design and is made of drop-impact materials.

This product offers an absolutely innovative, step-by-step, responsive interface with 3D-animation and a wide eight-inch touch screen which simplifies the operator's work and reduces the time of work. Moreover, thanks to the unique memory management system you can stop the alignment, save the current data and continue it anytime.

SENSOR UNITS

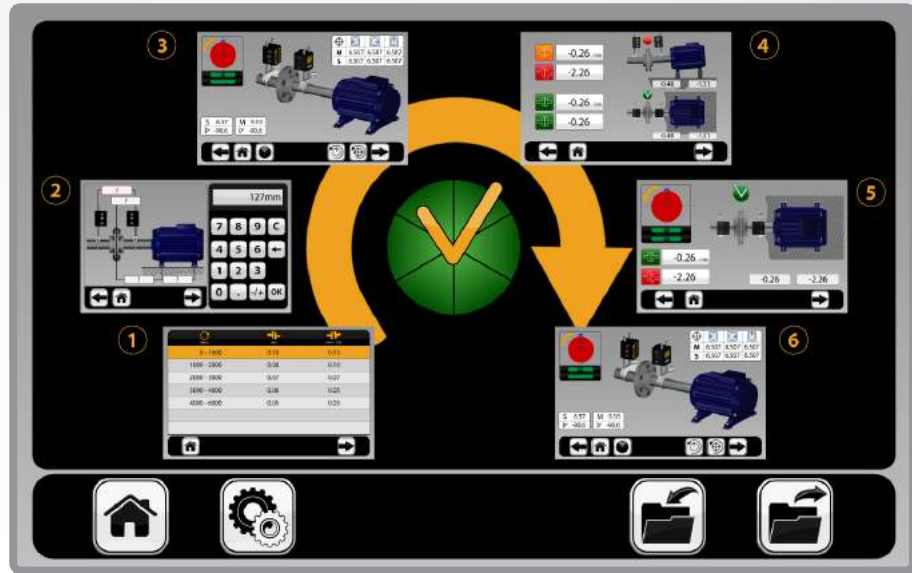
In the VIBRO-LASER® sensor units the latest digital and Bluetooth® data processing technology is used. Sensor units have CCD-detectors of 30 mm. This provides you with exact and stable measuring results and allows the system to be more interference-immune from the external factors (stray light, vibration, heat flow and etc.). Thanks to the compact and durable aluminum case of the sensor units, you can work even in the most confined space. Large CCD-detector also excludes "rough alignment" system that significantly reduces the time of work.



IP65
Bluetooth®
CCD-Detector 30mm

○ **Step 1**

Following the dial indicator, step by step, make the alignment procedure.



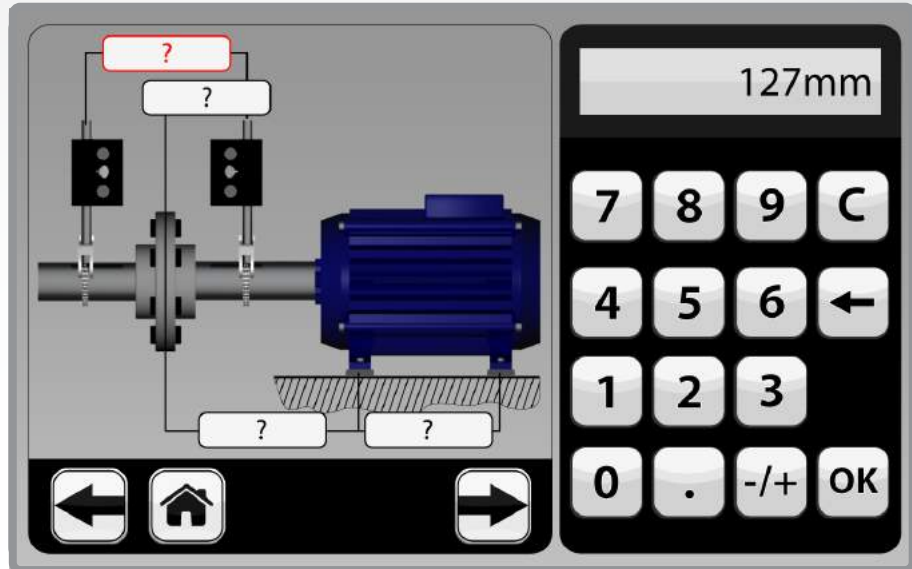
○ **Step 2**

Based on the speed of the shaft, choose the required tolerance value.

Rpm	mm	mm / 100
0 - 1000	0.10	0.13
1000 - 2000	0.08	0.10
2000 - 3000	0.07	0.07
3000 - 4000	0.06	0.05
4000 - 6000	0.05	0.03

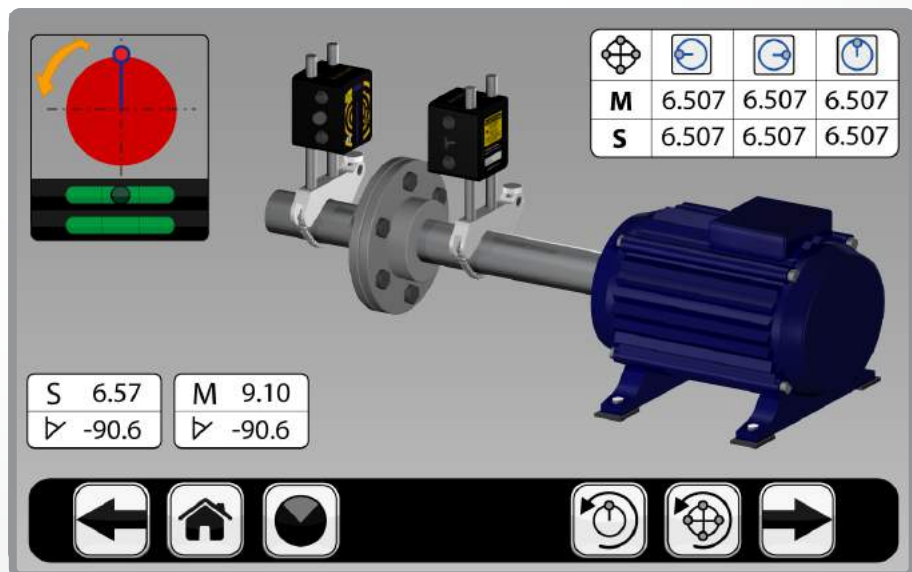
○ **Step 3**

Enter necessary measurements by the virtual calculation.



○ **Step 4**

Make the measurements in any three points. When the shaft rotates, use the help of "the information circle".



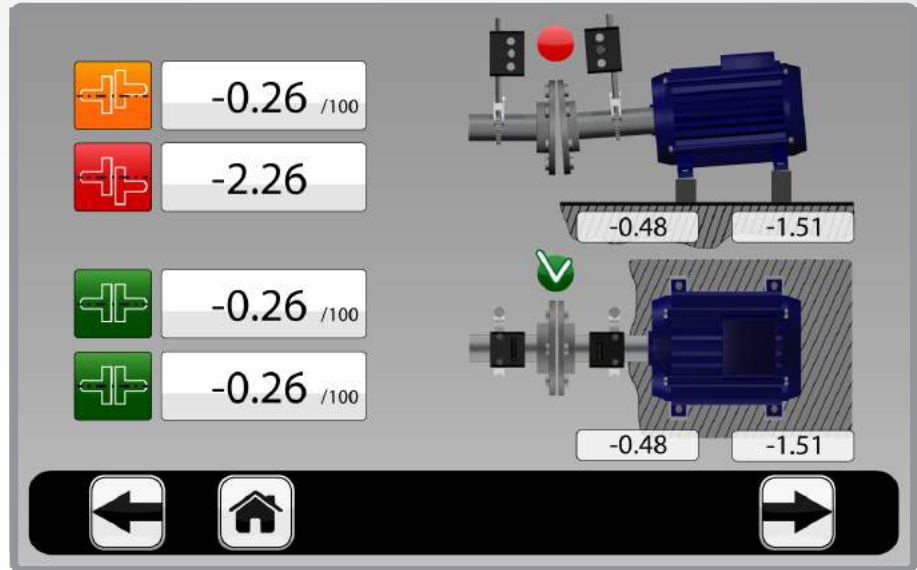
○ **Step 5**

Measurement results are displayed with the color indication:

Green - value in tolerance;

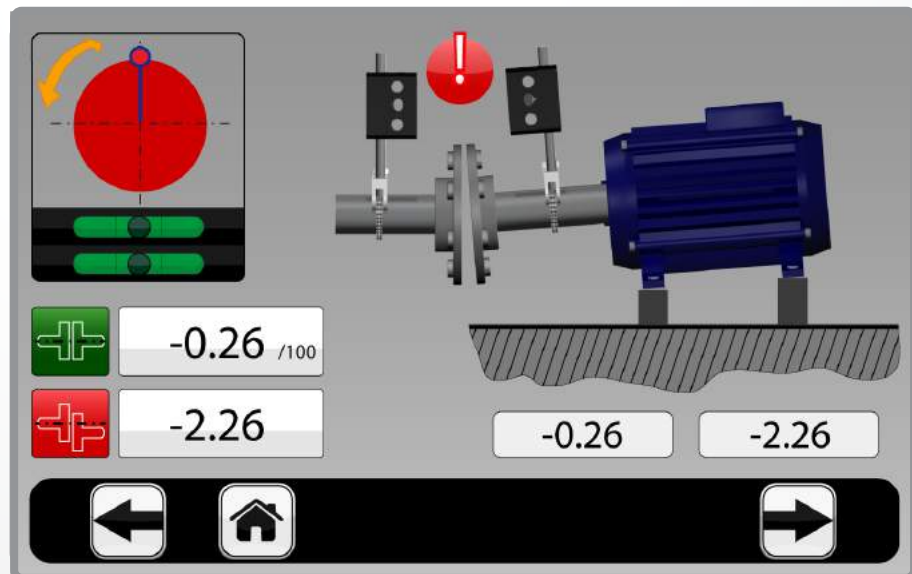
Yellow - value within double tolerance;

Red - value out of tolerance.



○ **Step 6**

When the system aligns, it tracks the position of the machine online and automatically advises, where and how far to remove it to get the required tolerance value.



TECHNICAL DATA

DISPLAY UNIT

Display	8" diagonal widescreen
Dimensions	217mm*136mm*18mm 8.5"W x 5.4"H x 0.7"D
Weight	720g
Sealing	IP 67 (water and dust)
Drop / Shock	26 repeated drops to 1 operating unit on to plywood over concrete from 48 inches
Operating Temp	-14° F to +140° F (-20° C to +60° C)
Humidity	95% non-condensing
Storage Drive	32GB
Display	1280 (W) x 800 (H)
Battery System	3.7V, 10000 mAh; 6-8 hour battery life
Camera	5MP integrated (rear-facing) and 2MP integrated (front-facing)
Resistance	with the height of 1.2m** withstands multiple drops impact



SENSOR UNITS

Material	Anodized aluminium
Dimensions	90 x 60 x 32 mm
Laser radiation	Diode laser with laser wavelength 635 nm, class II
Laser power	< 1 mW
Measurement distance	Up to 10m
Detector length	30mm
Detector type	Digital CCD detector
Detector resolution	0,001mm
Measurement accuracy	0,3% ± 7 µm
Inclinometer	0.1°
Degree of protection	IP65
Operating time	up to 20 hours
Bluetooth 4.0	✓
Operating temperature	14° F to 140° F (-10° C to +60° C)



*Note! Specifications are subject to change without notice.
 **on the surface of concrete covered with plywood.

COMPLETE SET* VIBRO-LASER® BASIC

1. Display unit	1pcs	D-1101**	9. Turn key	1pcs	1-1003
2. Sensor unit M	1pcs	M-1101	10. USB cable	2pcs	2-0003
3. Sensor unit S	1pcs	S-1101	11. Tape measure	1pcs	3-0001
4. Complete v-bracket	2pcs	1-1100	12. Manual	1pcs	P-1001
5. Carring bag	1pcs	3-0002			
6. Chain with lock	2pcs	1-1002			
7. Display unit adapter	1pcs	2-0001			
8. Sensor units adapter	1pcs	2-0002			

*Complete system is subject to change without prior notice

**Available with 10-inch display unit

