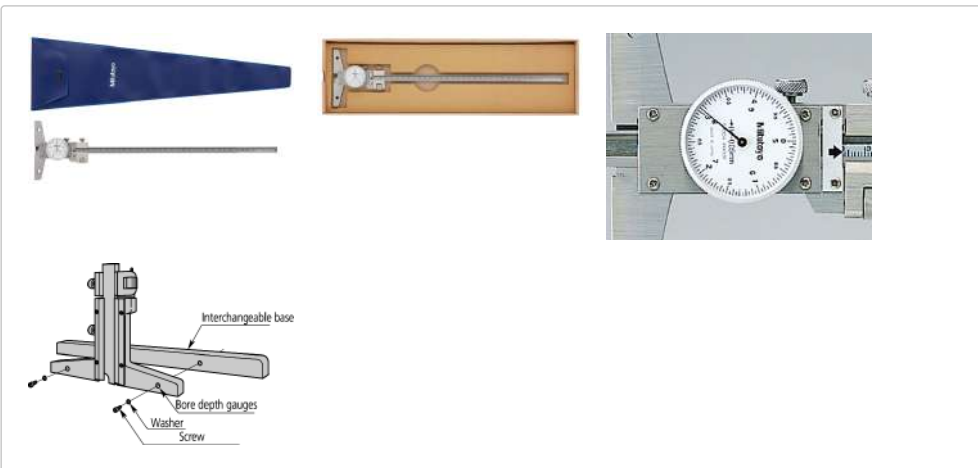




## Dial Depth Gauge

### 0-300mm, 0,05mm, Fine adjustment

Item number: 527-303-50



### Description

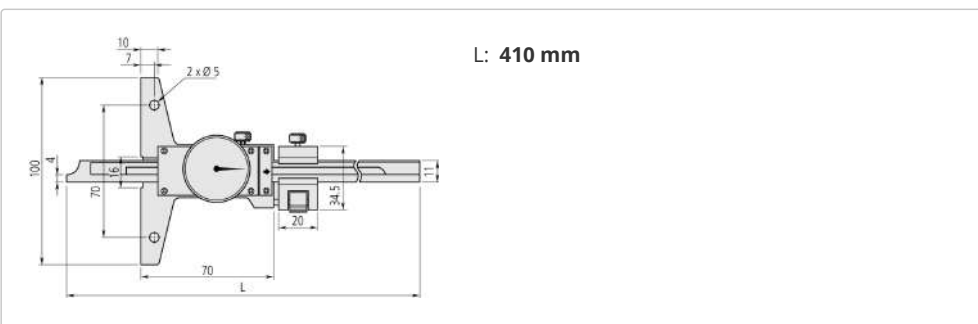
This dial depth gauge offers you the following benefits:

- The dial is very easy-to-read.
- Its base and measuring faces are hardened and micro-lapped for robustness.
- You can make fine adjustments.

### Features

Range:	<b>0 - 300 mm</b>
Graduation:	<b>0,05 mm</b>
Maximum Permissible Error E MPE:	<b>±0,08 mm</b>
Mass:	<b>340 g</b>
Digital/Analog:	<b>Analog</b>
Inch-Metric:	<b>Metric</b>

### Dimensions



### Accessories

Optional accessories:



Suggested retail price: **57.00 €\***



**Extension Base, Depth Gauge**  
**260mm width for up to 300mm Range**  
**900371**

Suggested retail price: **78.00 €\***



**Extension Base, Depth Gauge**  
**320mm width for up to 300mm Range**  
**900372**

Suggested retail price: **89.00 €\***