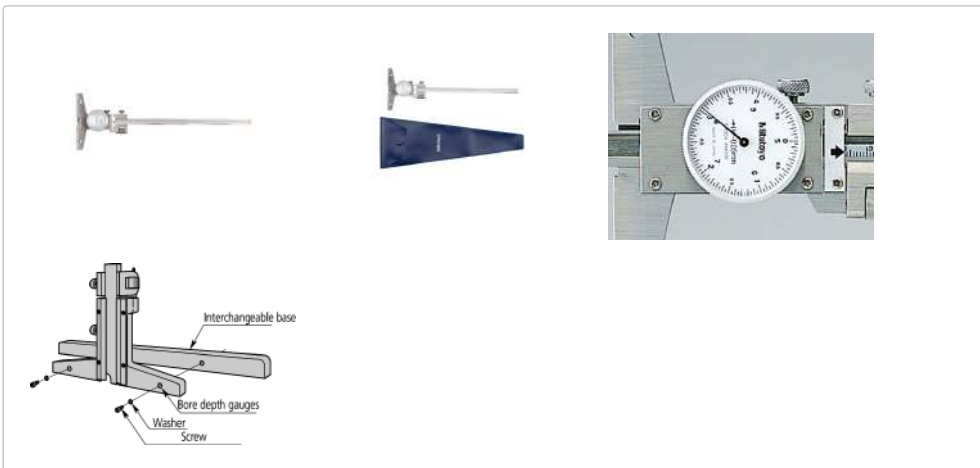




Dial Depth Gauge 0-8", With Fine adjustment

Item number: 527-312-50



Description

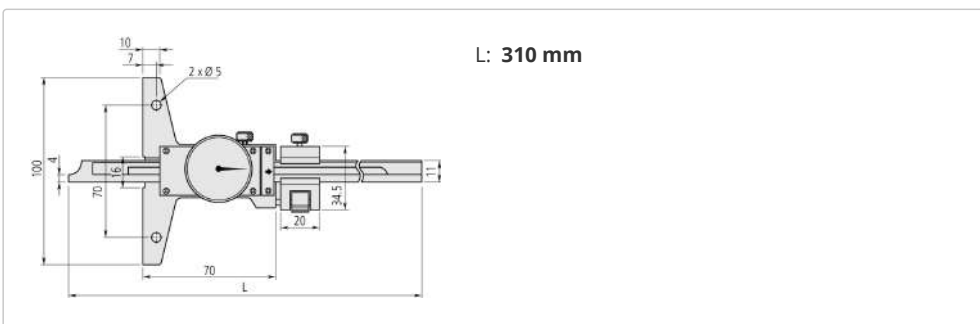
This dial depth gauge offers you the following benefits:

- The dial is very easy-to-read.
- Its base and measuring faces are hardened and micro-lapped for robustness.
- You can make fine adjustments.

Features

Graduation:	0,001"
Accuracy:	±0.001"
Mass:	300 g
Base size :	100 x 6.5 mm (W x T) mm
Digital/Analog:	Analog
Inch-Metric:	Inch

Dimensions



Accessories

Optional accessories:



Suggested retail price: **57.00 €***



Extension Base, Depth Gauge
260mm width for up to 300mm Range
900371

Suggested retail price: **78.00 €***



Extension Base, Depth Gauge
320mm width for up to 300mm Range
900372

Suggested retail price: **89.00 €***