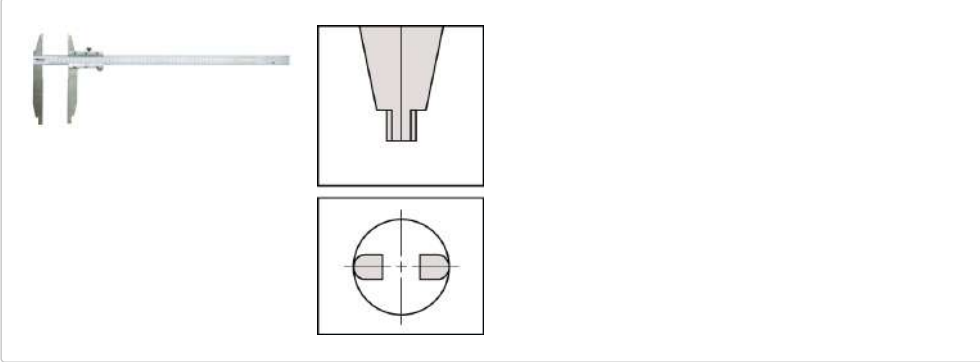




Vernier Caliper, Standard Jaws Nib Style

0-750mm, 0,02mm, Fine Adjust., Metric

Item number: 533-505



Description

These vernier calipers with nib style and standard jaws let you take easy, metric measurements. They offer you the following benefits:

- You can read inside and outside measurements directly from the upper and lower vernier scales.
- Main scale and vernier scale satin chrome finish gives you high readability.

Features

Range:	0 - 750 mm
Inside measuring from:	20.1 mm
Graduation:	0.02 mm
Accuracy:	±0,07 mm
Mass:	1550 g
Delivered:	In a box
Digital/Analog:	Analog
Inch-Metric:	Metric
Functions:	With fine adjustment

Dimensions

