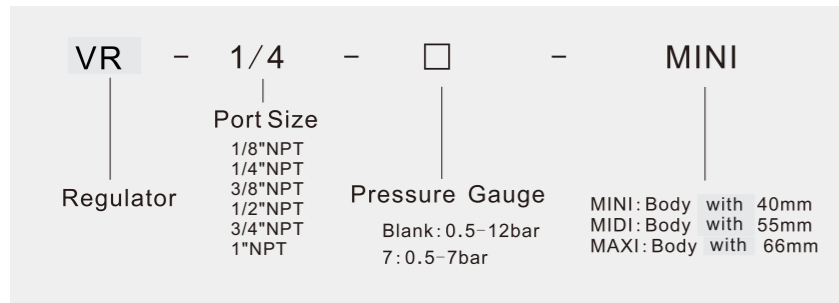


V Series Air Treatment Units

Ordering Code VR Series Regulator



Specifications

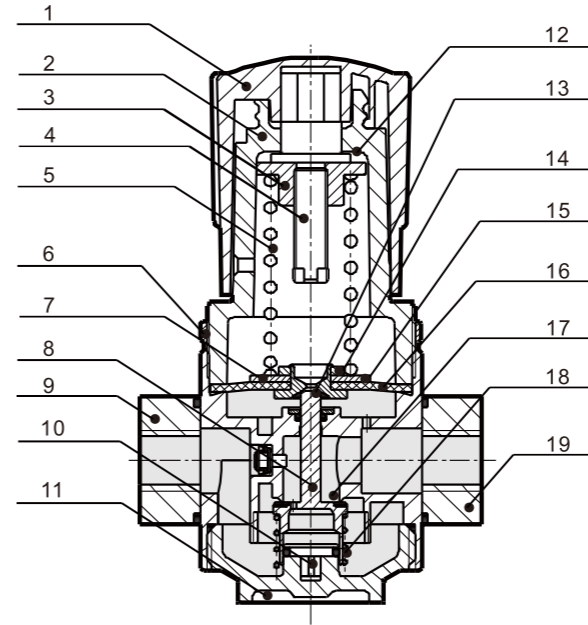
Specifications	MINI			MIDI			MAXI		
	1/8"NPT	1/4"NPT	3/8"NPT	3/8"NPT	1/2"NPT	3/4"NPT	3/4"NPT	1"NPT	
Port Size	1/8"NPT	1/4"NPT	3/8"NPT	3/8"NPT	1/2"NPT	3/4"NPT	3/4"NPT	1"NPT	
Working Medium	Compressed air								
Features of Structure	Sintered filter with water separator; MINI/MIDI: Diaphragm type regulator; MAXI: Piston regulator; Direct constant-density lubricator								
Mounting Type	Pipe mounting or foot mounting								
Assembly Position	Any								
Primary Pressure	0.1~1.6MPa								
Working Pressure	0.05~1.2MPa/0.05~0.7MPa								
Working Temperature Range	0~60°C								
Materials Information	Housing: Zinc die-casting; Filter bowl and oil: Polycarbonate; Metal bowl guard: Aluminium alloy; Sealing: NBR; Adjusting knob: POM								
Adjustment Range	0.05~0.7MPa								
	0.05~1.2MPa								
Weight	With pressure gauge	350g			720g			1200g	
	Without pressure gauge	300g			660g			1100g	

Standard Rated Flow

Joint Size		1/8"NPT	1/4"NPT	3/8"NPT	3/8"NPT	1/2"NPT	3/4"NPT	3/4"NPT	1"NPT
MINI	VR-... (0.05~0.7MPa)	1000	1600	1800	-	-	-	-	-
	VR-... (0.05~1.2MPa)	800	1500	1700	-	-	-	-	-
MIDI	VR-... (0.05~0.7MPa)	-	-	-	3300	4000	4500	-	-
	VR-... (0.05~1.2MPa)	-	-	-	3200	3500	3500	-	-
MAXI	VR-... (0.05~0.7MPa)	-	-	-	-	-	-	12000	12500
	VR-... (0.05~1.2MPa)	-	-	-	-	-	-	11000	11500

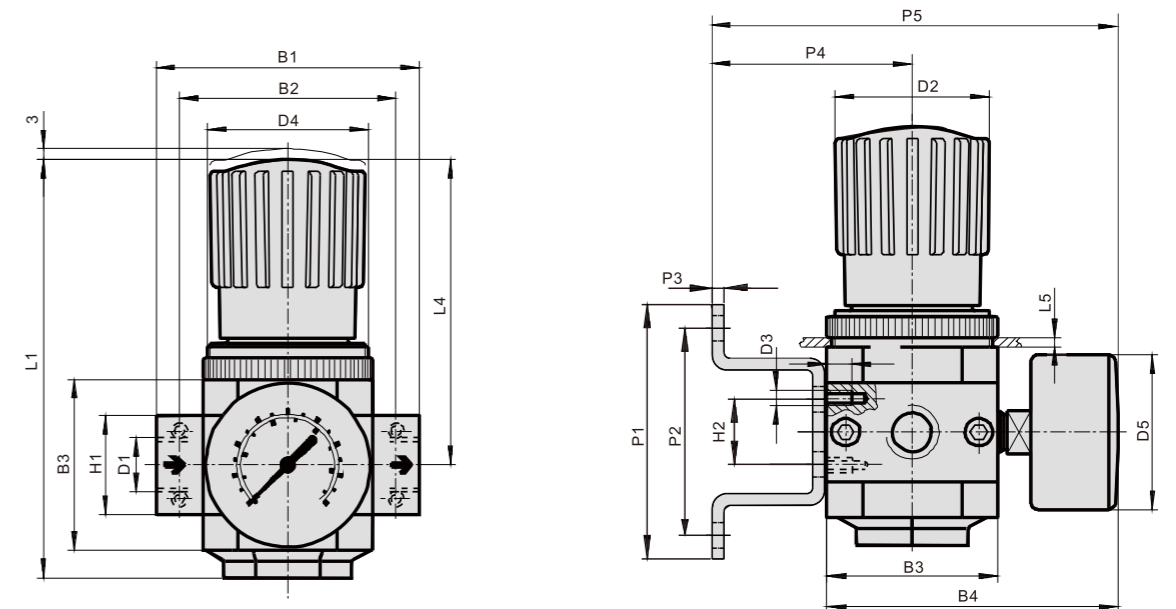
V Series Air Treatment Units

Internal Structure



NO.	Item	Material
1	Pressure knob	POM
2	Regulator cap	POM
3	Regulator nut	S35C
4	Adjusting spindle	S35C
5	Pressure spring	SWC
6	Fixed ring	6061-T6
7	One part of membrane	PA6+G15
8	Flange-IN	Zinc alloy
9	Spool	Brass
10	Fasteners	Brass
11	Locker cover	Zinc alloy
12	Wearing sheet	Insulation sheet
13	Sheet	NBR
14	Overflow base	6061-T6
15	One part of diaphragm	SPCC
16	Diaphragm	NBR+Nylon
17	OR Body	Zinc alloy
18	Flange-OUT	Zinc alloy
19	Spring	SWPB
	O-ring	NBR

Main Dimensions



Model	B1	B2	B3	B4	D1	D2	D3	D4	D5	H1	H2	L1	L4	L5	L6	L7	T1	P1	P2	P3	P4	P5
VRJMINIJ1/8	64	52	40	76	1/8NPT	31	M4	M36*1.5	Φ41	20	11	96	68	3	98	60	7	43	35	2	39	95
VRJMINIJ1/4	64	52	40	76	1/4NPT	31	M4	M36*1.5	Φ41	20	11	96	68	3	98	60	7	43	35	2	39	95
VRJMINIJ3/8	70	52	40	76	3/8NPT	31	M4	M36*1.5	Φ41	20	11	96	68	3	98	60	7	43	35	2	39	95
VRJMIDIJ3/8	85	70	55	95	3/8NPT	50	M5	M52*1.5	Φ50	32	22	135	99	5	130	60	8	70	60	3	47	112
VRJMIDIJ1/2	85	70	55	95	1/2NPT	50	M5	M52*1.5	Φ50	32	22	135	99	5	130	60	8	70	60	3	47	112
VRJMIDIJ3/4	85	70	55	95	3/4NPT	50	M5	M52*1.5	Φ50	32	22	135	99	5	130	60	8	70	60	3	47	112
VRJMAXIJ3/4	96	80	66	107	3/4NPT	31	M5	M36*1.5	Φ50	32	22	125	82	4	111	60	8	70	60	3	53	124
VRJMAXIJ1	116	91	66	107	1NPT	31	M5	M36*1.5	Φ50	40	22	125	82	4	111	60	8	70	60	3	53	124