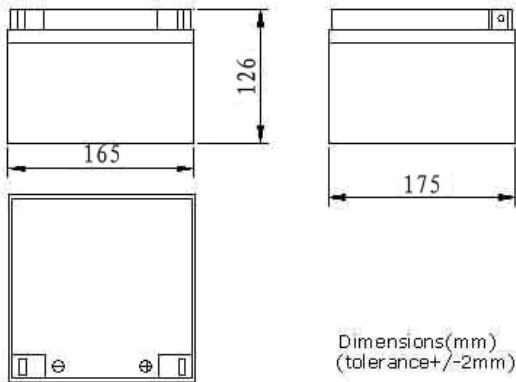


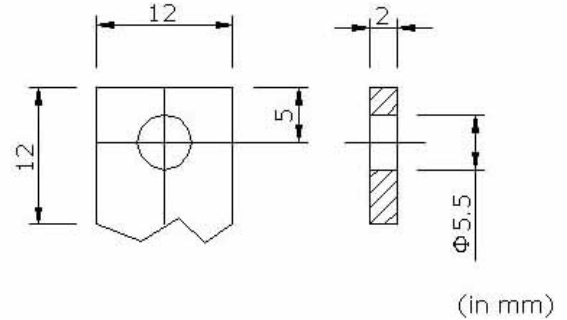
Model: CP24-12

PHYSICAL SPECIFICATION

Nominal Voltage		12V
Nominal Capacity (10HR)		24Ah
Dimension	Length	175±2mm (6.89 inches)
	Width	165±2mm (6.50 inches)
	Container Height	126±2mm (4.96 inches)
	Total Height	126±2mm (4.96 inches)
Weight		Approx. 7.5 Kg (16.53lbs)
Standard Terminal		Bolt-and-nut terminal Bolt Type: M5



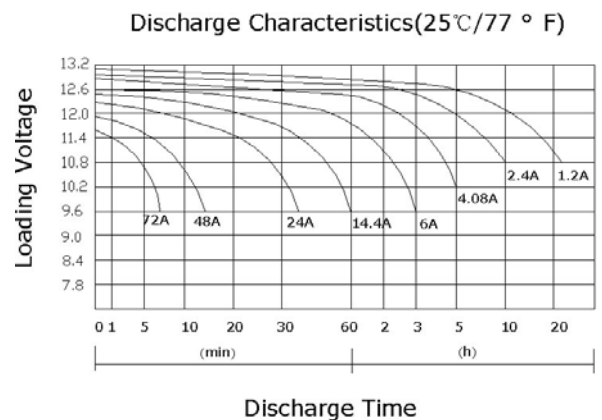
B3(Bolt-and-nut terminal)
Bolt Type:M5



Characteristics

Capacity	10 hour rate (2.4A)	24Ah
	5 hour rate (4.08A)	21Ah
	3 hour rate (6.0A)	18Ah
	1hour rate (14.4A)	15Ah
Capacity affected by temperature	40°C (104 °F)	102%
	25°C (77 °F)	100%
	0°C (32 °F)	85%
Internal Resistance		Full charged battery (25°C,77 °F) 10mΩ
Constant Voltage Charge	Cycle	Initial Charging Current less than 7.2A Voltage 14.1~14.4V at 25°C (77 °F) Temperature Coefficient -30mV/°C
	Standby	No limit on Initial Charging Current Voltage 13.5~13.8V at 25°C (77 °F) Temperature Coefficient -20mV/°C

Discharge curves @ 25°C (77 ° F)



Made in China