

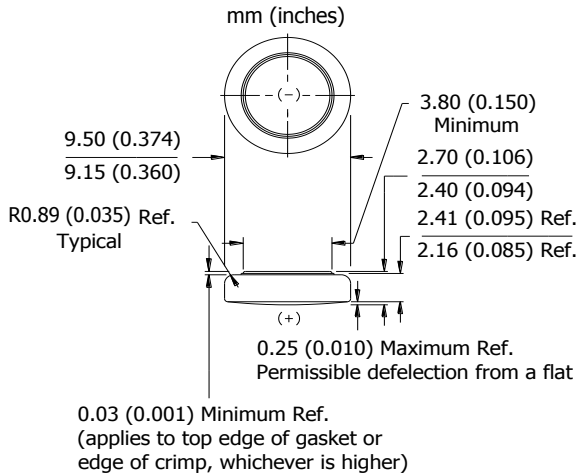


Watch Batteries **ENERGIZER**

Model:395/399



Industry Standard Dimensions



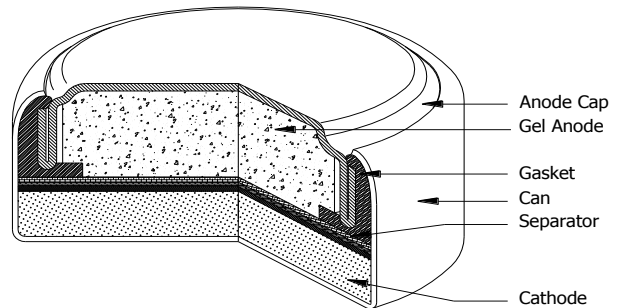
DESIGNED FOR USE ON CONTINUOUS LOW DRAIN
HIGH PULSE ON DEMAND

Specifications

Chemical System:	Silver Oxide (Zn/Ag ₂ O)
Designation:	ANSI-1162SO/1165SO, IEC-SR57
Nominal Voltage:	1.55 Volts
Typical Capacity:	51 mAh* (to 1.2 volts)
Capacity Test:	22K ohm continuous drain at 21°C
Typical Weight:	0.8 grams (0.03 oz.)
Typical Volume:	0.19 cubic centimeters (0.012 cubic inch)
Impedance (40 Hz):	10 to 25 ohms

* Varies according to the applied load, temperature, and cutoff voltage.

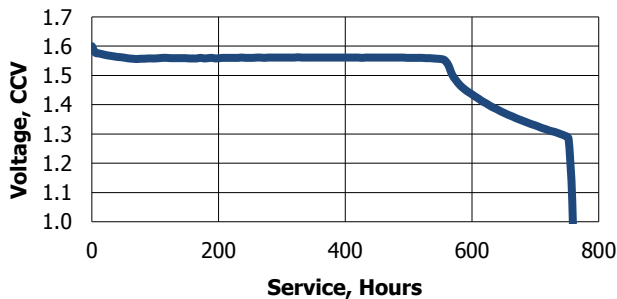
Cross Section



Typical Discharge Characteristics

Typical Performance at 21°C (70°F)

Schedule: Continuous
Typical Drain @1.52V:
0.069 milliamperes
Load: 22K ohm

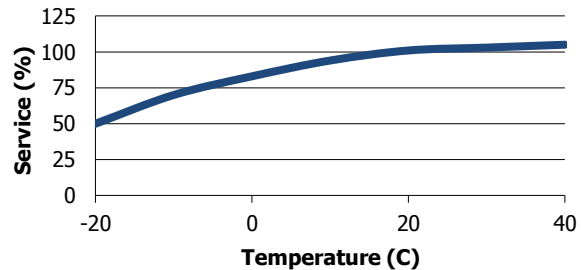


<u>Schedule</u>	<u>Typical Drains</u> at 1.52V (milliamperes)	<u>Load</u> (ohm)	<u>Cutoff</u> 1.2V (hours)
Continuous	0.069	22K	752

Temperature Characteristics

Typical Performance at Low Discharge Rates

Service Effects



Storage Effects

