

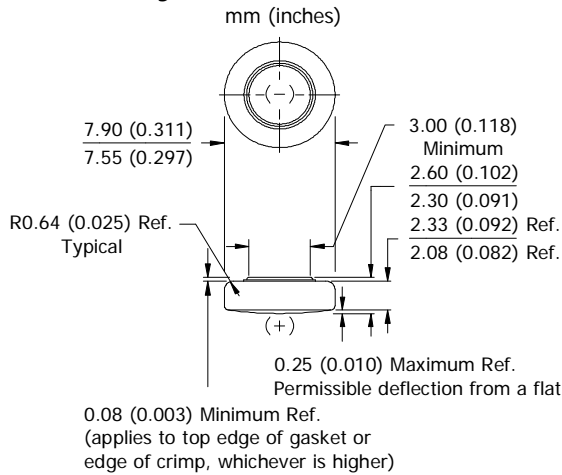


Watch Batteries ENERGIZER

Model:396/397



Industry Standard Dimensions



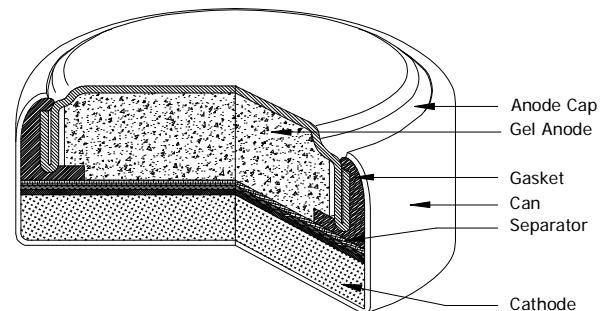
DESIGNED FOR USE ON CONTINUOUS LOW DRAIN
HIGH PULSE ON DEMAND

Specifications

- Chemical System:** Silver Oxide (Zn/Ag₂O)
- Designation:** ANSI-1164SO/1163SO, IEC-SR59
- Nominal Voltage:** 1.55 Volts
- Typical Capacity:** 32 mAh* (to 1.2 volts)
- Capacity Test:** 33K ohm continuous drain at 21°C
- Typical Weight:** 0.5 grams (0.018 oz.)
- Typical Volume:** 0.13 cubic centimeters (0.008 cubic inch)
- Impedance (40 Hz):** 15 to 25 ohms

* Varies according to the applied load, temperature, and cutoff voltage.

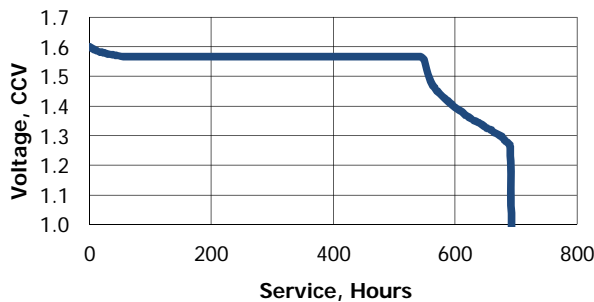
Cross Section



Typical Discharge Characteristics

Typical Performance at 21°C (70°F)

Schedule: Continuous
Typical Drain @1.53V:
0.046 milliamperes
Load: 33K ohm

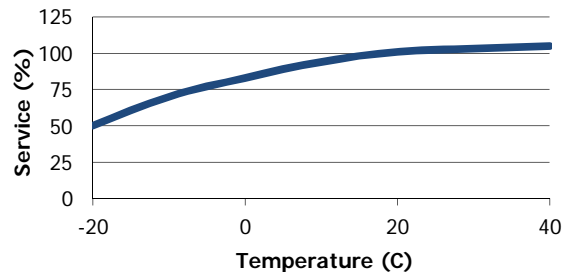


Schedule	Typical Drains at 1.53V (milliamperes)	Load (ohm)	Cutoff 1.2V (hours)
Continuous	0.046	33K	691

Temperature Characteristics

Typical Performance at Low Discharge Rates

Service Effects



Storage Effects

