

### LEADER PIPE WRENCHES

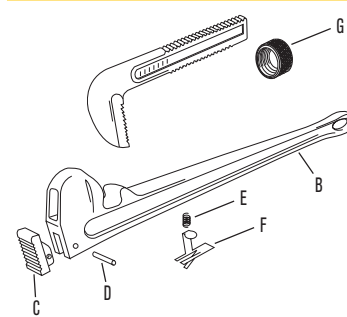
Heavy-duty frame and handle are a one-piece ductile iron casting guaranteed against breakage.



T3508

ITEM NO.	DESCRIPTION	CAPACITY	EAN	MASTER PACK	SHELF PACK
T3508	Leader Wrench 8"/200mm	1" (25mm)	734442112440	-	4
T35010	Leader Wrench 10"/250mm	1-1/2" (38mm)	734442112563	-	4
T35012	Leader Wrench 12"/300mm	2" (51mm)	734442112327	-	4
T35014	Leader Wrench 14"/350mm	2" (51mm)	734442112686	-	4
T35018	Leader Wrench 18"/450mm	2-1/2" (63mm)	734442112808	-	4
T35024	Leader Wrench 24"/600mm	3" (76mm)	734442112921	-	1
T35036	Leader Wrench 36"/900mm	5" (127mm)	734442113041	-	1
T35048	Leader Wrench 48"/1220mm	6" (152mm)	734442113065	-	1

### LEADER WRENCHES SPARE PARTS



ITEM NO.	DESCRIPTION	CAPACITY	EAN	MASTER PACK	SHELF PACK
T35018A	Hook Jaw c/w Nut (G)	-	734442125280	1	4
T35024A	Hook Jaw c/w Nut (G)	-	734442126126	1	4
T35036A	Hook Jaw c/w Nut (G)	-	734442126966	1	4
T35048A	Hook Jaw c/w Nut (G)	-	734442127802	1	4
T35010C	Handle Jaw with Pin (D)	-	734442123842	1	4
T35018C	Handle Jaw with Pin (D)	-	734442125402	1	1
T35024C	Handle Jaw with Pin (D)	-	734442126249	1	1
T35048C	Handle Jaw with Pin (D)	-	734442127925	1	1
T35010E	Coil Spring (E) & Flat Spring (F)	-	734442124085	1	1

### HANDIWRENCH

Chain pipe wrenches are mainly used in confined spaces, such as against a wall or close to a nest of other piping. Simply loop the chain around the pipe, lock it and the jaws will grip in the direction of the turn. The pipe can then be easily tightened or loosened with short strokes of the handle.



ITEM NO.	DESCRIPTION	CAPACITY	EAN	MASTER PACK	SHELF PACK
T240	HandiWrench Ø100	4" (101mm)	734442113522	48	4

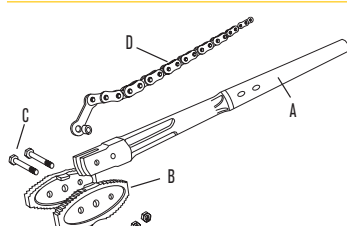
### CHAIN PIPE WRENCHES



T235C

ITEM NO.	DESCRIPTION	CAPACITY	EAN	MASTER PACK	SHELF PACK
T23112	Chain Pipe Wrench Ø61mm/14"	5/16" - 2" / 8-51mm	734442109082	12	1
T23212	Chain Pipe Wrench Ø90mm/21-1/2"	5/16" - 3" / 8-76mm	734442109204	12	1
T233C	Chain Pipe Wrench Ø115mm/36"	1/2" - 4" / 13-101mm	734442113164	6	1
T234C	Chain Pipe Wrench Ø220mm/51"	1" - 8" / 25-203mm	734442113287	6	1
T235C	Chain Pipe Wrench 64-1/2"	2" - 12" / 50 - 300mm	734442114000	6	1

### CHAIN PIPE WRENCHES REPLACEMENT CHAINS



ITEM NO.	DESCRIPTION	CAPACITY	EAN	MASTER PACK	SHELF PACK
T233CDB	Chain with Bush (D)	-	734442113881	1	1
T234CDB	Chain with Bush (D)	-	734442114246	1	1