

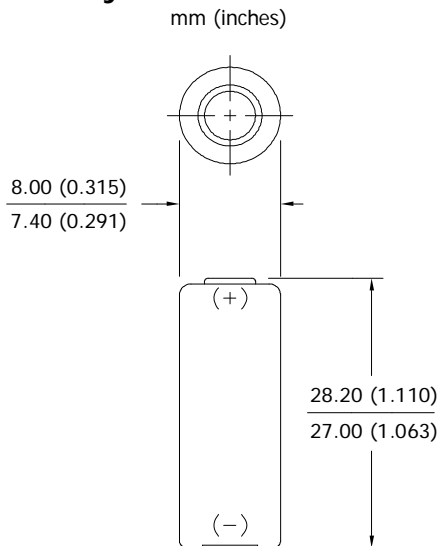
# ENERGIZER A27

**ZEROMERCURY**

**Miniature Alkaline**



## Industry Standard Dimensions



Designed for electronic applications which may require high rate pulses

## Specifications

- Classification:** "Miniature Alkaline"
- Chemical System:** Manganese Dioxide (MnO<sub>2</sub>)
- Designation:** N/A
- Nominal Voltage:** 12.0 volts
- Typical Capacity:** 18 mAh to 6.0 volts (rated at 20k ohms at 21°C)
- Typical Weight:** 4.4 grams (0.2 oz)

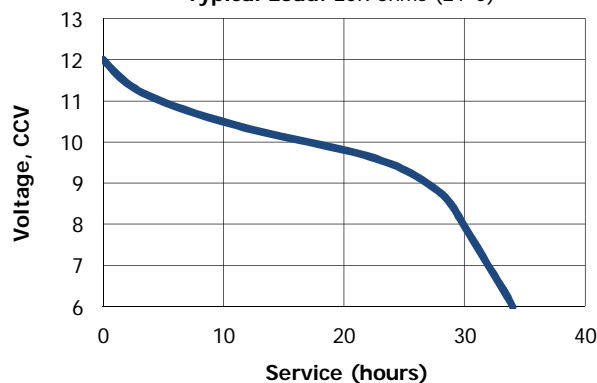
## Typical Discharge Durations

at 21°C

Schedule (time)	Drain (mA)	Load (ohms)	Cutoff Voltage		
			8.8V (hours)	7.2V (hours)	6.0V (hours)
Continuous	0.53	20K	28	32	34

## Discharge Characteristics

Schedule: Continuous  
Typical Load: 20K ohms (21°C)



Made in China

