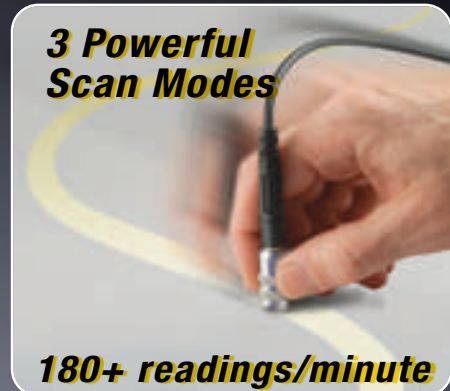


PosiTector® 6000 Series

Coating Thickness Gages for **ALL** Metal Substrates



Includes protective rubber holster



3 Powerful Scan Modes

180+ readings/minute

Advanced models only

DeFelsko®
The Measure of Quality



Available on the
App Store



PosiTector®
SmartLink
Compatible



PosiTector® 6000 Series

All Gages Feature...

Simple

- Fast measurement speed—60+ readings per minute. Enhanced FAST mode—90+ readings per minute for quick inspection.
- Ready to measure—no adjustment required for most applications
- **NEW** Larger 2.8" impact resistant color touchscreen with redesigned keypad for quick menu navigation
- **NEW** On-gage help explains menu items at the touch of a button
- Flashing display—ideal in a noisy environment
- RESET feature instantly restores factory settings

Durable

- **NEW** Weatherproof, dustproof, and water-resistant—IP65-rated enclosure
- **NEW** Ergonomic design with durable rubberized grip
- Wear-resistant probe tip
- Shock-absorbing protective rubber holster for added impact resistance
- Two year warranty on gage body AND probe

Accurate

- Certificate of Calibration showing traceability to NIST or PTB included
- Built-in temperature compensation ensures measurement accuracy
- Hi-RES mode increases displayed resolution for precision applications
- Conforms to national and international standards including ISO and ASTM

Versatile

- PosiTector body accepts all PosiTector 6000, 200, DPM, IRT, RTR, SPG, SST, SHD, BHI, and UTG probes easily converting from a coating thickness gage to a dew point meter, surface profile gage, soluble salt tester, hardness tester, or ultrasonic wall thickness gage
- Multiple calibration adjustment options including zero, 1-point, 2-point, and ISO 19840 correction factors
- Selectable display languages
- **NEW** Auto rotating display with Flip Lock
- Extended cables available (up to 75 m/250 ft) for remote measuring

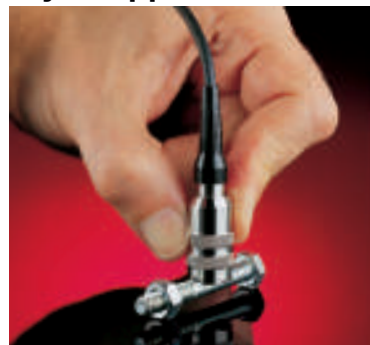
Powerful

- Continually displays/updates average, standard deviation, min/max, and number of readings while measuring
- **NEW** Screen Capture—save 100 screen images for record keeping and review
- HiLo alarm audibly and visibly alerts when measurements exceed user-specified limits
- **NEW** Instant-on feature quickly powers up the gage if recently powered down
- **NEW** Up to 30% longer battery life
- USB port for fast, simple connection to a PC and to supply continuous power. USB cable included.
- PosiSoft USB Drive—stored readings and graphs can be accessed using universal PC/Mac web browsers or file explorers. No software required.
- Every stored measurement is date and time stamped
- Includes PosiSoft suite of software for viewing and reporting data (see far right)

Probes available for a variety of applications



For measuring paint, powder, etc. on all metals...



...and for measuring galvanizing, plating, anodizing, and more.

Standard Models

Includes ALL features as shown on left plus...

- **NEW** Storage of 1,000 readings per probe—stored readings can be viewed or downloaded

Advanced Models

Includes ALL features as shown on left plus...

- **NEW** Storage of 250,000 readings from multiple probes in up to 1,000 batches and sub-batches
- Live graphing of measurement data
- **NEW** Prompted Batch Mode—create pre-defined batches with on-screen text and image prompts for each reading (see far right)
- **3 Scan Modes**—increase measurement speed to 180+ readings per minute
 - **Normal** – take continuous readings without lifting the probe
 - **Statistics** – take continuous readings and record average, standard deviation, min/max thickness and number of readings while scanning
 - **Limited Count Average** – take continuous readings up to a user-specified count. The gage displays and records the average of the readings.
- **NEW** Touchscreen keyboard for quickly renaming batches, adding notes, and more
- Multiple stored calibration adjustments for measuring on a variety of substrate conditions
- **NEW** SSPC-PA 2, ISO 19840, and IMO PSPC 90:10 modes help users comply with standards by prompting for max/min specifications, displaying the necessary readings, and automatically calculating statistics with a pass/fail result
- WiFi technology wirelessly synchronizes with PosiSoft.net and downloads software updates
- **Bluetooth 4.0 Technology** for data transfer to a mobile device running the PosiTector App or optional portable printer. **BLE API** available for integration into third-party software.

PosiTector SmartLink™

- Wirelessly connect PosiTector 6000 probes to your smart device

Select from a variety of measurement ranges and probe styles

(see ordering guide on back page)



Cabled Probe Style



Integral Probe Style



Thick

90°

0°

45°

Regular

Rugged Features...

Sealed USB Port for communicating with a PC or Mac

Weatherproof, dustproof, and shockproof



2.8" impact resistant color touchscreen display

Auto rotating display with Flip Lock and on-screen help

Ergonomic design with durable rubberized grip

Redesigned keypad for quick navigation

Sealed connector protects probe from water and dust intrusion

Quality high-flex cable and strain relief

Stainless steel probe with knurled finger grip

Strong wear-resistant ruby-tipped probe



Advanced Model shown with Prompted Batch Mode enabled

All Regular Cabled Probes are suitable for underwater use

PosiSoft... **FREE SOLUTIONS** for viewing, analyzing and reporting data:



PosiSoft Desktop

Powerful desktop software for downloading, viewing, printing, and storing measurement data. Includes customizable, templated PDF Report Generator. No internet connection required.

NEW Prompted Batch Mode

Create pre-defined batches with onscreen text and image prompts for each reading and upload to PosiTector 6000 Advanced models only. Ideal for ensuring a consistent measurement pattern for repetitive jobs.

PosiSoft.net

A web-based application offering secure centralized management of readings. Includes customizable, templated PDF Report Generator. Access your data from any web-connected device.



PosiTector App

Mobile app connects PosiTector Advanced instruments, the PosiTector SmartLink and the PosiTest AT-A to your iOS or Android smart device.



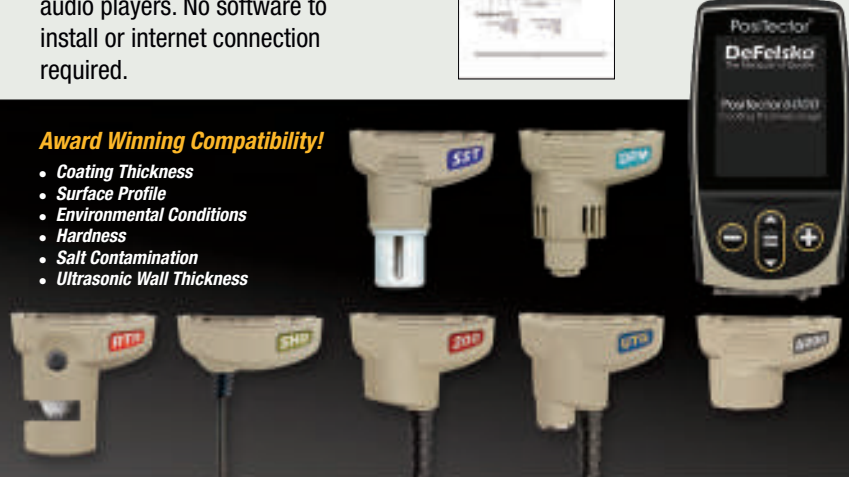
PosiSoft USB Drive

A simple gage interface to retrieve data in a manner similar to USB flash drives, cameras, or digital audio players. No software to install or internet connection required.



Award Winning Compatibility!

- Coating Thickness
- Surface Profile
- Environmental Conditions
- Hardness
- Salt Contamination
- Ultrasonic Wall Thickness



Duplex Probe measures individual layer thicknesses of zinc and paint in a duplex coating system



Xtreme Probes with Alumina wear faces and braided cables for hot/rough surfaces



Thick Probe series for thick protective coatings: epoxy, rubber, fireproofing, and more

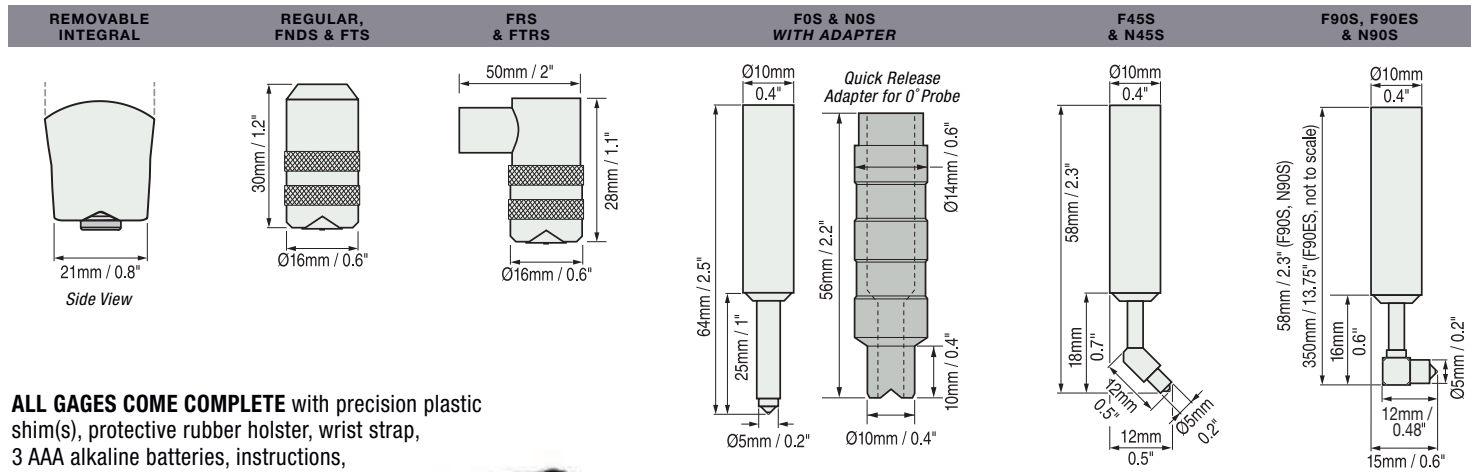


Microprobe series for small parts and hard-to-reach areas

		Our most popular Integral and Cabled probe models			90° Regular probe for tight spots	Ideal for duplex coating systems	Ideal for hot and rugged applications	Ideal for anodized aluminum	Microprobes – Our smallest probes for small parts or hard-to-reach areas				Integral and Cabled probes for thick protective coatings; epoxy, rubber, intumescent fireproofing and more							
FERROUS	Standard	F1	FS1	FRS1																
	Advanced	F3	FS3	FRS3																
NON-FERROUS	Standard	N1	NS1	NRS1																
	Advanced	N3	NS3	NRS3																
COMBINATION	Standard	FN1	FNS1	FNRS1	FNDS1 ³															
	Advanced	FN3	FNS3	FNRS3	FNDS3 ³															
Range		0–60 mils 0–1500 µm				0–80 mils 0–2000 µm	Ferrous: 0–45 mils and 0–1150 µm Non-Ferrous: 0–25 mils and 0–625 µm				0–250 mils 0–6 mm		0–400 mils 0–10,000 µm	0–500 mils 0–13 mm	0–1.0 in. 0–25 mm	0–1.5 in. 0–38 mm	0–2.5 in. 0–63.5 mm			
Accuracy ⁵		±(0.05 mil + 1%) 0-2 mils ±(0.1 mil + 1%) >2 mils ±(1 µm + 1%) 0-50 µm ±(2 µm + 1%) >50 µm					±(0.02 mil + 1%) 0-4 mils ±(0.1 mil + 3%) >4 mils ±(0.5 µm + 1%) 0-100 µm ±(2 µm + 3%) >100 µm				±(0.5 mil + 1%) 0-100 mils ±(0.5 mil + 3%) >100 mils ±(0.01 mm + 1%) 0-2.5 mm ±(0.01 mm + 3%) >2.5 mm		±(0.1 mil + 3%)	±(1 mil + 3%)	±(0.01 in. + 3%) ±(0.2 mm + 3%)					
Matching DeFelsko Calibration Standards		STDS1 STDA1				STDS4	STDS2 STDA2				STDP1		STDP7	STDP5	STDP2	STDP8				

Ferrous probes measure non-magnetic coatings on ferrous metals. **Non-Ferrous probes** measure non-conductive coatings on non-ferrous metals. 1) **FXS/FHXS Xtreme probe series** with Alumina wear face and braided cable — ideal for rough or hot surfaces up to 250° C (500° F). 2) **FHXS probe** measures non-conductive coatings on steel only. 3) See website for full **FNDS probe** accuracy information. 4) **FNGS probe** measures non-conductive coatings on all metals. 5) Accuracies are stated as a fixed value plus a percentage of the gage's actual reading.

Probe Details (All probe details can be found online at www.defelsko.com/p6000/probes)



ALL GAGES COME COMPLETE with precision plastic shim(s), protective rubber holster, wrist strap, 3 AAA alkaline batteries, instructions, protective lens shield, convenient carrying case, Long Form Certificate of Calibration traceable to NIST or PTB, USB cable, PosiSoft Software, two (2) year warranty.

***SIZE:** 127 x 66 x 25.4 mm
(5" x 2.6" x 1")

***WEIGHT:** 137 g (4.9 oz.)
without batteries

** Size and weight are for the PosiTector gage body only and do not include the probe.*

Conforms to ISO 19840/2178/2360/2808, ASTM B244/B499/D1186/ D1400/D7091/E376/G12, BS3900-C5, SSPC-PA2 and others



Options

Coating Thickness Standards
to fulfill both ISO and in-house quality control requirements

Probe Foot Rings
Durable Delrin ring allows the probe to slide easily while scanning

Telescopic Probe Extender for use with the PosiTector 6000 FS, NS, FNS, FXS, FNDS, NAS and FTS probes.
■ Provides up to 124 cm (49") of reach and collapses to 47 cm (18.5") for easy storage

For a complete list of product features and available options visit www.defelsko.com

