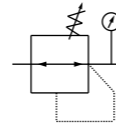
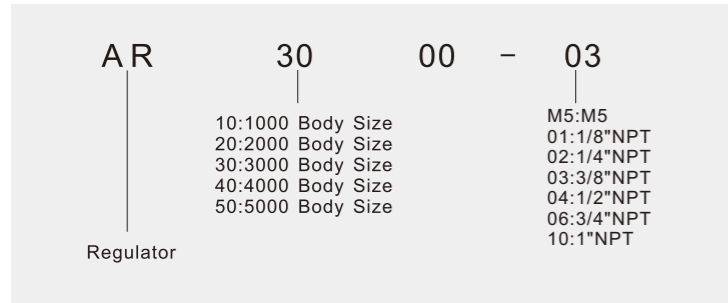


A Series Air Treatment Units

Ordering Code AR Series Air Regulator



Specifications

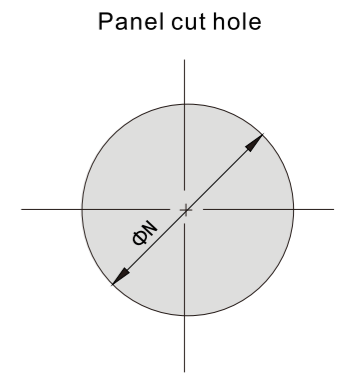
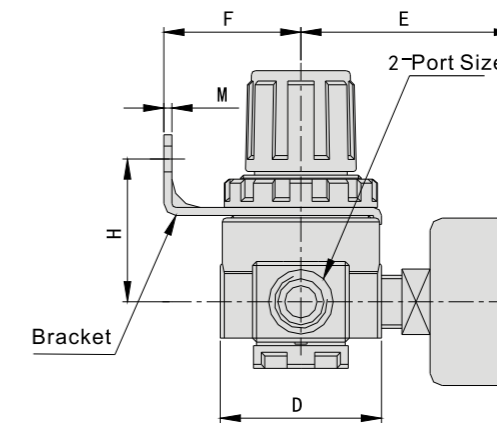
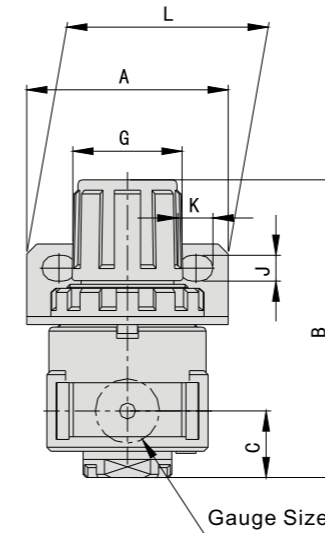
Guaranteed pressure resistance	1.5MPa
Max.working pressure	1.0MPa
Working temperature	5~60°C
Pressure adjusting range	0.05~0.85MPa
Valve type	With overflow

Model	Specifications				Accessories
	Rated flow (L/min)	Port size (N)	Pressure gauge thread size (N)	Weight (Kg)	Bracket
AR1000-M5	100	M5"	1/16"NPT	0.08	B120
AR2000-01	550	1/8"NPT	1/8"NPT	0.27	B220
AR2000-02		1/4"NPT			
AR2500-02	2000	1/4"NPT	1/8"NPT	0.27	B220
AR2500-03		3/8"NPT			
AR3000-02	2500	1/4"NPT	1/8"NPT	0.41	B320
AR3000-03		3/8"NPT			
AR4000-03	6000	3/8"NPT	1/4"NPT	0.84	B420
AR4000-04		1/2"NPT			
AR4000-06	6000	3/4"NPT	1/4"NPT	0.94	
AR5000-06	8000	3/4"NPT	1/4"NPT	1.19	
AR5000-10		1"NPT			

Note: The above information is based on 0.7Mpa(7.1kgf/cm²) supplied pressure 0.5Mpa(5.1kgf/cm²) setted pressure

A Series Air Treatment Units

Main Dimensions



AR1000-3000
Max Thickness 3.5mm
AR4000-5000
Max Thickness 5mm

Model	Port Size	A	B	C	D	E	F	G	H	J	K	L	M	N
AR1000-M5	M5	25	61.5	11	25	26	25	28	30	4.5	6.5	40	2	20.5
AR2000-01	1/8"NPT	40	95	17	40	56.8	30	34	44	5.4	15.4	55	2.3	33.5
AR2000-02	1/4"NPT	40	95	17	40	56.8	30	34	44	5.4	15.4	55	2.3	33.5
AR2500-02	1/4"NPT	53	102.5	25	48	60.8	30	34	44	5.4	15.4	55	2.3	33.5
AR2500-03	3/8"NPT	53	102.5	25	48	60.8	30	34	44	5.4	15.4	55	2.3	33.5
AR3000-02	1/4"NPT	53	127.5	35	53	60.8	39	40	46	6.5	8	53	2.3	42.5
AR3000-03	3/8"NPT	53	127.5	35	53	60.8	39	40	46	6.5	8	53	2.3	42.5
AR4000-03	3/8"NPT	75	154	40.5	70	69.5	49.2	54	55.5	8.5	10.5	70	2.3	52.5
AR4000-04	1/8"NPT	70	149.5	37.5	70	65.5	49.2	54	54	8.5	10.5	70	2.3	52.5
AR4000-06	3/4"NPT	75	154	40.5	70	69.5	49.2	54	55.5	8.5	10.5	70	2.3	52.5
AR5000-06	3/4"NPT	90	168	48	90	75.5	49.2	54	62	8.5	10.5	70	2.3	52.5
AR5000-10	1"NPT	90	168	48	90	75.5	49.2	54	62	8.5	10.5	70	2.3	52.5